



Qualcomm® Pseudo Random Number Generator

Version 2.1.0

FIPS 140-2 Non-Proprietary Security Policy

Version 1.8

Last Update: 2020-07-17

Prepared for:

**Qualcomm Technologies, Inc.
5775 Morehouse Drive
San Diego, CA 92121**

Prepared by:

**atsec information security Corp.
9130 Jollyville Road, Suite 260
Austin, TX 78759**

Qualcomm Snapdragon and Qualcomm Pseudo Random Number Generator are products of Qualcomm Technologies, Inc. and/or its subsidiaries. Qualcomm and Snapdragon are trademarks of Qualcomm Incorporated, registered in the United States and other countries.

TABLE OF CONTENTS

1	INTRODUCTION	3
1.1	PURPOSE OF THE SECURITY POLICY	3
2	CRYPTOGRAPHIC MODULE SPECIFICATION	4
2.1	DESCRIPTION OF MODULE	4
2.2	DESCRIPTION OF APPROVED MODE	4
2.3	CRYPTOGRAPHIC MODULE BOUNDARY	5
3	CRYPTOGRAPHIC MODULE PORTS AND INTERFACES	8
4	ROLES, SERVICES AND AUTHENTICATION	9
4.1	ROLES	9
4.2	SERVICES.....	9
4.3	OPERATOR AUTHENTICATION.....	10
4.4	MECHANISM AND STRENGTH OF AUTHENTICATION.....	10
5	PHYSICAL SECURITY	11
6	OPERATIONAL ENVIRONMENT	12
6.1	APPLICABILITY	12
7	CRYPTOGRAPHIC KEY MANAGEMENT	13
7.1	RANDOM NUMBER GENERATION	13
7.2	KEY AND CSP LIST	13
7.3	KEY/CSP GENERATION, ENTRY AND OUTPUT	14
7.4	KEY/CSP STORAGE AND ZEROIZATION.....	14
8	ELECTROMAGNETIC INTERFERENCE/ELECTROMAGNETIC COMPATIBILITY (EMI/EMC)	15
9	POWER-UP TESTS	16
9.1	CRYPTOGRAPHIC ALGORITHM TESTS	16
9.2	CONDITIONAL TESTS	16
10	DESIGN ASSURANCE	17
10.1	CONFIGURATION MANAGEMENT.....	17
11	MITIGATION OF OTHER ATTACKS	18
12	GLOSSARY AND ABBREVIATIONS	19
13	REFERENCES	20

1 Introduction

This document is the non-proprietary FIPS 140-2 Security Policy for the Qualcomm Pseudo Random Number Generator cryptographic modules. The version numbers of the Qualcomm Pseudo Random Number Generator are 2.1.0. This document contains a specification of the rules under which the Qualcomm Pseudo Random Number Generator must operate. It also describes how the Qualcomm Pseudo Random Number Generator meets the requirements as specified in FIPS PUB 140-2 (Federal Information Processing Standards Publication 140-2) for Security Level 1 hardware cryptographic modules.

1.1 Purpose of the Security Policy

There are three major reasons that a security policy is needed:

- It is required for FIPS 140-2 validation.
- It allows individuals and organizations to determine whether the Qualcomm Pseudo Random Number Generator, as implemented, satisfies the stated security policy.
- It describes the capabilities, protections, and access rights provided by the Qualcomm Pseudo Random Number Generator. This essential information will help individuals and organizations determine whether the Qualcomm Pseudo Random Number Generator will meet their security requirements.

2 Cryptographic Module Specification

2.1 Description of Module

The Qualcomm Pseudo Random Number Generator is classified as a single chip hardware module for the purpose of FIPS 140-2 validation. It is designed to provide random numbers. The Qualcomm Pseudo Random Number Generator is a sub-chip hardware component contained within the Qualcomm® Snapdragon™ 820 SoC. The Qualcomm Pseudo Random Number Generator implements a SHA-256 Hash DRBG as defined in SP 800-90A.

The hardware sub-chip cryptographic modules are specified in the following table:

Component	Type	Version Number
Qualcomm Pseudo Random Number Generator	hardware	2.1.0

Table 1: Components of the Hardware Cryptographic Module

The Qualcomm Pseudo Random Number Generator has been tested on the following platforms:

Snapdragon 820 for version 2.1.0

The Qualcomm Pseudo Random Number Generator is intended to meet the requirements of FIPS 140-2 at an overall Security Level 1. The table below shows the security level claimed for each of the eleven sections that comprise the validation:

FIPS 140-2 Sections	Security Level				
	N/A	1	2	3	4
Cryptographic Module Specification		X			
Cryptographic Module Ports and Interfaces		X			
Roles, Services and Authentication		X			
Finite State Model		X			
Physical Security		X			
Operational Environment	X				
Cryptographic Key Management		X			
EMI/EMC		X			
Self-Tests		X			
Design Assurance		X			
Mitigation of Other Attacks	X				

Table 2: Security Levels

2.2 Description of Approved Mode

The Qualcomm Pseudo Random Number Generator supports only a FIPS mode which is entered without any special configurations. All possible configurations entered via the registers are supported and do not violate the constraints of the FIPS mode.

When the Qualcomm Pseudo Random Number Generator is powered on, the power-up self-test is executed automatically without any operator intervention. The Qualcomm Pseudo Random Number Generator enters FIPS mode automatically if the power-up self-test completes successfully.

If any of self-tests fail during power-up, the Qualcomm Pseudo Random Number Generator goes into Error state. All cryptographic services are prohibited while in error state. When an error state is entered, the Qualcomm Pseudo Random Number Generator can be reset to reinitialize itself.

The status of the Qualcomm Pseudo Random Number Generator can be determined by its availability. If the Qualcomm Pseudo Random Number Generator is available, it has passed all self-tests. If it is unavailable, it is in the error state.

The Qualcomm Pseudo Random Number Generator provides the following CAVP validated algorithms (Note that the Qualcomm Pseudo Random Number Generator has two cores each implementing SHA-256):

Algorithms	Standards	CAVS Certs #
		version 2.1.0
SHA-256 Hash DRBG	SP-800-90A	Cert.#: 885
SHA-256 (core 1)	FIPS 198-1	Cert.#: 2908
SHA-256 (core 2)	FIPS 198-1	Cert.#: 2930

Table 3: Approved Algorithms

2.3 Cryptographic Module Boundary

The physical boundary of the Qualcomm Pseudo Random Number Generator is the physical boundary of the Snapdragon 820 SoC, that contains the sub-chip which implements the Qualcomm Pseudo Random Number Generator version 2.1.0. Consequently, the embodiment of the Qualcomm Pseudo Random Number Generator is a single-chip standalone cryptographic module. The logical boundary is the Qualcomm Pseudo Random Number Generator, version 2.1.0.

The following figure illustrates the various data, status and control paths through the physical and logical boundary of the Qualcomm Pseudo Random Number Generator.

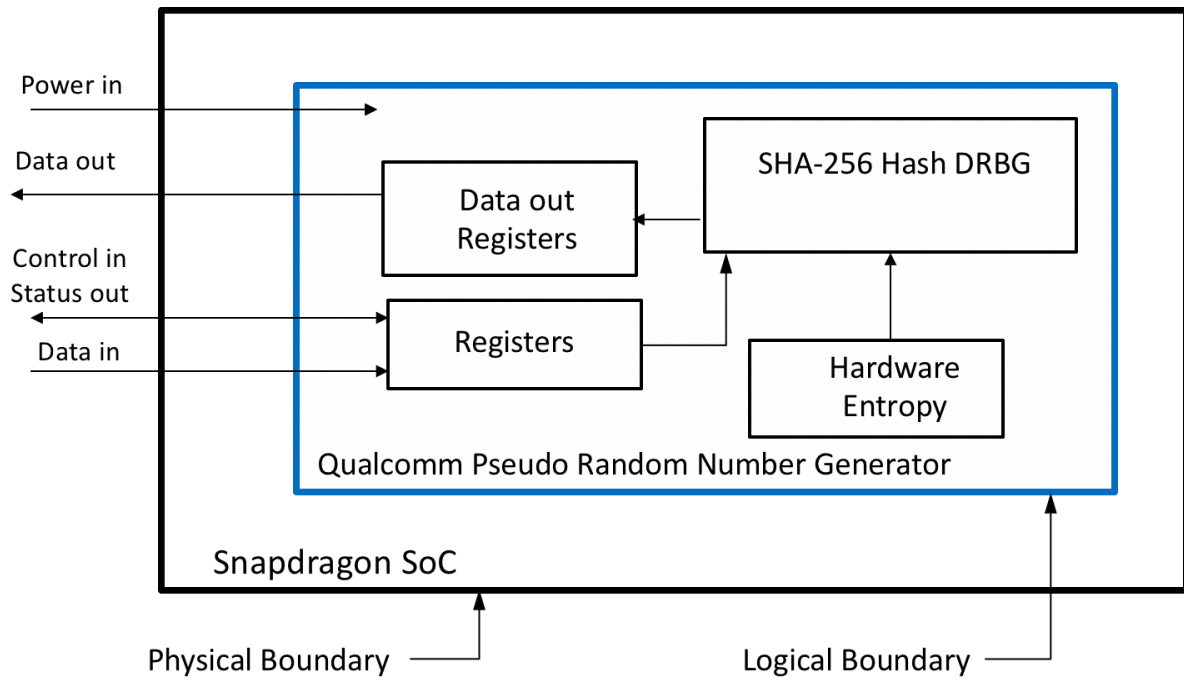
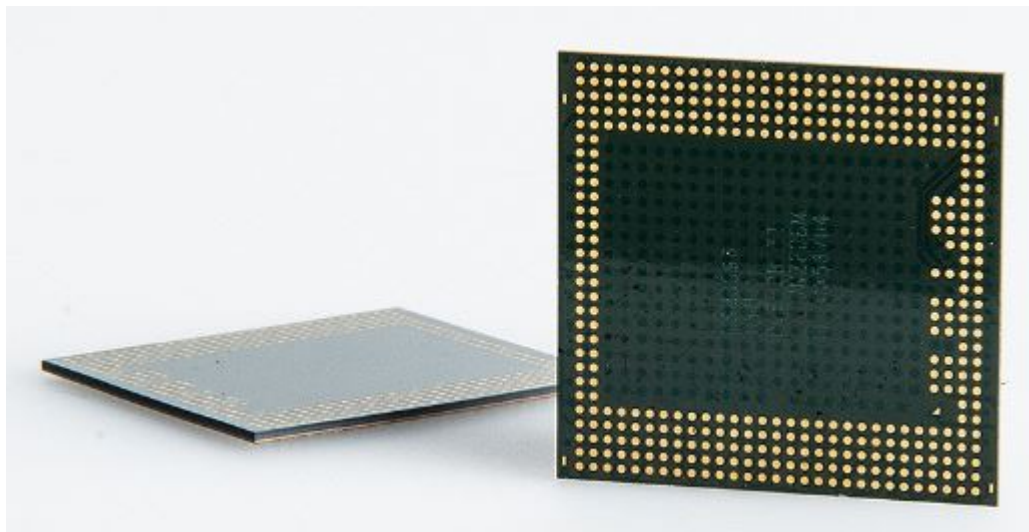
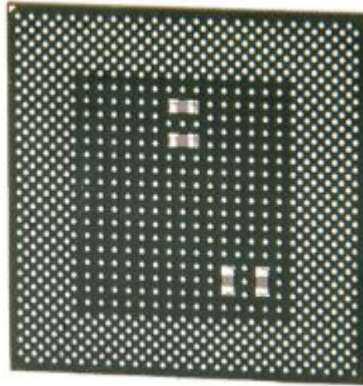


Figure 1: Cryptographic Boundary



Back view



Front view

Figure 2: Snapdragon 820

3 Cryptographic Module Ports and Interfaces

FIPS Interface	Ports
Data Input	Registers
Data Output	Data Out Registers
Control Input	Registers
Status Output	Registers
Power Input	Physical power connector

Table 4: Ports and Interfaces

As indicated in Table 4, all status output and control input are directed through the interface of the Qualcomm Pseudo Random Number Generator's logical boundary, which is the registers of the Qualcomm Pseudo Random Number Generator. For data input, the registers provide the interface. For data output, the data output is provided via data out registers.

4 Roles, Services and Authentication

4.1 Roles

Role	Description
User	Perform general security services, including cryptographic operations and other approved security functions.
Crypto Officer (CO)	Configuration of the Qualcomm Pseudo Random Number Generator.

Table 5: Roles

The Qualcomm Pseudo Random Number Generator meet all FIPS 140-2 Security Level 1 requirements for Roles and Services, implementing both User and Crypto Officer roles. It does not allow concurrent operators.

The User and Crypto Officer roles are implicitly assumed by the entity accessing services implemented by the Qualcomm Pseudo Random Number Generator. No further authentication is required. The Crypto Officer can initialize the Qualcomm Pseudo Random Number Generator.

4.2 Services

The Qualcomm Pseudo Random Number Generator does not support bypass capability. It provides random data from the SHA-256 Hash DRBG. The following table describes the services available in FIPS-mode:

Service	Roles		CSP	Access (Read, Write)
	User	CO		
Approved				
SHA-256-Hash-DRBG	✓		Seed, entropy input string, nonce, internal state values C and V	R
Self-Test (Self-Test is executed automatically when device is booted or restarted)	✓		N/A	N/A
Check Status/Get State	✓		N/A	N/A
Module Configuration		✓	N/A	N/A
Zeroization	✓		Seed, entropy input string, nonce, internal state values C and V	R,W
Non-approved but Allowed				
NDRNG	✓		Entropy input string, nonce	R

Table 6: Services

4.3 Operator Authentication

There is no operator authentication; assumption of role is implicit by action.

4.4 Mechanism and Strength of Authentication

No authentication is required at Security Level 1; authentication is implicit by assumption of the role.

5 Physical Security

The Qualcomm Pseudo Random Number Generator with version 2.1.0 is a sub-chip module implemented as part of the Snapdragon 820 SoC, which is the physical boundary of the sub-chip module. The Snapdragon 820 SoC is a single chip with a production grade enclosure and hence conform to the Level 1 requirements for physical security.

6 Operational Environment

6.1 Applicability

The Qualcomm Pseudo Random Number Generator is a single chip hardware module. The procurement, build and configuring procedure are controlled. Therefore, the operational environment is considered non-modifiable.

Minimum, nominal, and maximum voltages and temperatures are 0.815v, 0.90v, and 1.05v and -30C, 25C, and 85C respectively. However, each target varies slightly in voltage and temperature spec. This is a digital oscillator and will work for the voltage and temperature conditions above. The dynamic check is done by health monitor as per FIPS140-2 requirements.

7 Cryptographic Key Management

7.1 Random Number Generation

Hardware is used to collect random bits as the entropy seed (i.e., the entropy input string and the nonce) for the Qualcomm Pseudo Random Number Generator to generate FIPS 140-2 compliant random numbers.

The DRBG used to generate pseudo random numbers is a SP 800-90A compliant SHA-256 Hash DRBG using a derivation function without prediction resistance. It processes a personalization string that is written by the calling application into a hardware register for use by the Qualcomm Pseudo Random Number Generator. The calling application has read/write access to the hardware register that holds the personalization string.

The implementation performs a continuous self-test, a health check, and a power-on self-test. A re-seed process is applied to the DRBG. The re-seed frequency is programmable, up to 2^{32} blocks of data.

When the DRBG is instantiated, it runs a self-test with a set of test vectors. It also runs a health check test to verify that the instantiation function and generation function are able to handle any incorrect parameter inputs, such as, a negative number for the input data length, etc. The DRBG implements a continuous self-test that verifies the random number generation. The self-test compares the output bits with the generated bits from the previous round and ensures that they do not match.

The entropy source for the DRBG originates from a series of ring oscillators. The NDRNG consists of the combined data streams of the oscillators which is fed into the DRBG. The DRBG also implements a derivation function to counter any slight imperfections in the entropy stream. Based on an analysis of the entropy output and the use of a 256 bit entropy value along with a 128 bit nonce, it has been determined that the input random data into the approved HASH DRBG contains at least 256 bits of security strength.

The output of the noise source is processed by a continuous self-test which compares the output bits with the generated bits from the previous round and ensures that they do not match.

7.2 Key and CSP List

The entropy input string and the nonce inputs to the DRBG are generated internal to the hardware Qualcomm Pseudo Random Number Generator and do not have an external interface.

The following table lists the CSP in the Qualcomm Pseudo Random Number Generator:

CSP	Generation	Storage	Zeroization
DRBG entropy input string and nonce	Hardware NDRNG	Internal registers	Reset event
DRBG Seed, internal state values C and V	During DRBG initialization	Internal registers	Reset event

Table 7: Keys and CSPs

7.3 Key/CSP Generation, Entry and Output

The Qualcomm Pseudo Random Number Generator does not provide any key generation service or perform key generation for any of its Approved algorithms. The caller of the DRBG can use the output for key generation.

The Qualcomm Pseudo Random Number Generator does not provide any asymmetrical algorithms or key establishment methods.

7.4 Key/CSP Storage and Zeroization

The entropy input string and nonce used by the DRBG are generated internally by the hardware and are not accessible externally to the Qualcomm Pseudo Random Number Generator. The personalization string is input by the caller of the DRBG into a register that is able to be read from and written to by the caller.

Zeroization of the DRBG CSPs is accomplished by either a reset event or a power-off/power-on cycle of the DRBG.

8 Electromagnetic Interference/Electromagnetic Compatibility (EMI/EMC)

The CM hardware component cannot be certified by the FCC as it is not a standalone device. It is a sub-chip imbedded in the Snapdragon 820 SoC, which is also not a standalone device. It is intended to be used within a COTS device which would undergo standard FCC certification for EMI/EMC.

According to 47 Code of Federal Regulations, Part 15, Subpart B, Unintentional Radiators, the CM is not subject to EMI/EMC regulations because it is a subassembly that is sold to an equipment manufacturer for further fabrication. That manufacturer is responsible for obtaining the necessary authorization for the equipment with the CM embedded prior to further marketing to a vendor or user.

9 Power-Up Tests

Power-Up tests consist of Known-Answer-Tests (KAT) used for algorithm implementations. The power-up self-tests are automatically performed without any operator intervention during power-up of the Qualcomm Pseudo Random Number Generator. If any of the power-up self-tests fail, the Qualcomm Pseudo Random Number Generator will enter the error state. Data output is prohibited and no further cryptographic operation is allowed while in the error state. The Qualcomm Pseudo Random Number Generator can be reset to recover from the error state. Re-initialization is also possible by doing a power-cycle to set the Qualcomm Pseudo Random Number Generator to the power-on state.

FIPS 140-2 explicitly allows that the on-demand test can be fulfilled with a power cycle of the Qualcomm Pseudo Random Number Generator. Hence, a power cycle and its associated power-on self-test is the methodology used to perform the "on-demand" tests.

9.1 Cryptographic Algorithm Tests

Algorithm	Test
SP 800-90A DRBG	KAT for DRBG only
SHA-256	KAT performed for both SHA-256 cores independently

Table 8: Power-Up Cryptographic Algorithm Tests

9.2 Conditional Tests

The following table provides the lists of the conditional self- tests. If any of the conditional test fails, the Qualcomm Pseudo Random Number Generator will enter the error state. The Qualcomm Pseudo Random Number Generator needs to be reset in order to recover from the error state.

Algorithm	Test
SP 800-90A DRBG	Continuous Random Number Generator Test
Hardware NDRNG	Continuous Random Number Generator Test

Table 9: Conditional Tests

10 Design Assurance

The Qualcomm Pseudo Random Number Generator is implemented in hardware and is not modifiable; therefore, no integrity test is required.

10.1 Configuration Management

ClearCase, a version control system from IBM/Rational, is used to manage the revision control of the hardware code (Verilog code) and hardware documentation. The ClearCase version control system provides version control, workspace management, parallel development support, and build auditing. The Verilog code is maintained within the ClearCase database used by Qualcomm Technologies, Inc.

11 Mitigation of Other Attacks

No other attacks are mitigated.

12 Glossary and Abbreviations

CAVP	Cryptographic Algorithm Validation Program
CMVP	Cryptographic Module Validation Program
COTS	Commercial Off The Shelf
CSP	Critical Security Parameter
DRBG	Deterministic Random Bit Generator
FIPS	Federal Information Processing Standards Publication
KAT	Known Answer Test
NIST	National Institute of Science and Technology
SHA	Secure Hash Algorithm
SoC	System on Chip

13 References

- [1] FIPS 140-2 Standard,
<http://csrc.nist.gov/groups/STM/cmvp/standards.html>
- [2] FIPS 140-2 Implementation Guidance,
<http://csrc.nist.gov/groups/STM/cmvp/standards.html>
- [3] FIPS 180-4 Secure Hash Standard,
<http://csrc.nist.gov/publications/PubsFIPS.html>
- [4] NIST Special Publication 800-90A, Recommendation for Random Number Generation Using Deterministic Random Bit Generators
<https://csrc.nist.gov/publications/detail/sp/800-90a/rev-1/final>